



產品說明

MASTERColour CDM-T Elite 陶瓷複金屬燈

高效率單端型陶瓷複金屬放電燈

优点

- 高演色性結合高流明輸出，提供展示商品最為傑出的照明效果；增加商品質感的最佳選擇
- 光色品質優異，歷久如新，穩定恆常
- 流明輸出穩定，保持展示照明亮度
- 效率高，使用壽命長，節省運作成本，降低光照熱度
- 熱度較其他燈具為低，使顧客與工作人員更感舒適
- 紫外線阻隔功能，減少商品褪色風險

特点

- 清晰明亮的白色光
- 優異的演色性 (Ra 90)
- 效能始終穩定
- 光色穩定，歷久如新
- 比一般 MASTERColour 燈，擁有更高的流明輸出
- 比一般 MASTERColour 燈更容易維護

应用

- 強調與展示照明，營造清亮晶瑩的效果，為零售業最理想的照明方案
- 戶外裝飾泛光照明

安全提示

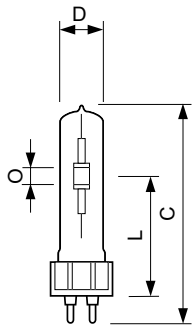
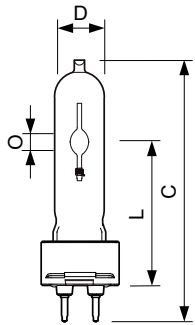
- Use only in totally enclosed luminaire, even during testing (IEC61167, IEC 62035, IEC60598)
- The luminaire must be able to contain hot lamp parts if the lamp ruptures
- Use only with electronic control gear. 35W & 70W lamps may also use electromagnetic gear.
- Control gear must include end-of-life protection (IEC61167, IEC 62035)
- A lamp breaking is extremely unlikely to have any impact on your health. If a lamp breaks, ventilate the room for 30 minutes and remove the parts, preferably with gloves. Put them in a sealed plastic bag and take it to your local waste facilities for recycling. Do not use a vacuum cleaner.

MASTERColour CDM-T Elite 陶瓷複金屬燈

Versions



二维绘图



Product	D (max)	O	L (min)	L (max)	L	C (max)
MASTERColour CDM-T Elite 35W/930 G12 1CT/12	20 mm	4.8 mm	55 mm	57 mm	56 mm	103 mm
MASTERColour CDM-T Elite 70W/942 G12 1CT	20 mm	7.75 mm	55 mm	57 mm	56 mm	103 mm
MASTERColour CDM-T Elite 50W/930 G12 1CT/12	20 mm	6 mm	55 mm	57 mm	56 mm	103 mm
MASTERColour CDM-T Elite 70W/930 G12 1CT/12	20 mm	7.15 mm	55 mm	57 mm	56 mm	103 mm
MASTERColour CDM-T Elite 35W/942 G12 1CT	20 mm	5.2 mm	55 mm	57 mm	56 mm	103 mm

Product	D (max)	O	L (min)	L (max)	L	C (max)
MASTERColour CDM-T Elite 150W/930 G12 1CT/12	20 mm	9 mm	55 mm	57 mm	56 mm	110 mm

控制調光

可調光 否

運作和電氣

重新點火時間 (最小) (最大) 15 min

基本資訊

接口 G12

機械和殼體

燈泡表層 透明

燈泡形狀 T19

MASTERColour CDM-T Elite 陶瓷複金屬燈

應用

Order Code	Full Product Name	能源消耗	汞 (Hg)		Order Code	Full Product Name	能源消耗	汞 (Hg)	
		kWh/1000 h	含量 (最大)	汞 (Hg) 含量 (標稱)			kWh/1000 h	含量 (最大)	汞 (Hg) 含量 (標稱)
928094705125	MASTERColour CDM-T Elite 150W/930 G12 1CT/12	151 kWh	9.5 mg	9.5 mg	928185305129	MASTERColour CDM-T Elite 70W/930 G12 1CT/12	80 kWh	-	6.6 mg
928185205129	MASTERColour CDM-T Elite 35W/930 G12 1CT/12	43 kWh	-	4.7 mg	928193705129	MASTERColour CDM-T Elite 70W/942 G12 1CT	80 kWh	-	6.6 mg
928193605129	MASTERColour CDM-T Elite 35W/942 G12 1CT	43 kWh	-	4.9 mg	928191705131	MASTERColour CDM-T Elite 50W/930 G12 1CT/12	51 kWh	6.6 mg	6.6 mg

運作和電氣

Order Code	Full Product Name	燈具電流 (EM) (標稱)	電壓 (最大)	電壓 (最小)	電壓 (標稱)	功率 (額定)(最小)	功率 (額定)(標稱)
928094705125	MASTERColour CDM-T Elite 150W/930 G12 1CT/12	-	98 V	86 V	92 V	-	150.1 W
928185205129	MASTERColour CDM-T Elite 35W/930 G12 1CT/12	0.500 A	90 V	80 V	85 V	-	39.1 W
928193605129	MASTERColour CDM-T Elite 35W/942 G12 1CT	0.51 A	96 V	84 V	90 V	-	39.1 W
928185305129	MASTERColour CDM-T Elite 70W/930 G12 1CT/12	1 A	90 V	79 V	85 V	-	73.2 W
928193705129	MASTERColour CDM-T Elite 70W/942 G12 1CT	0.97 A	93 V	81 V	87 V	-	73.2 W
928191705131	MASTERColour CDM-T Elite 50W/930 G12 1CT/12	-	96 V	84 V	90 V	50.0 W	50.2 W

基本資訊

Order Code	Full Product Name	壽命 (故障率 10%) (標稱)	壽命 (故障率 20%) (標稱)	壽命 (故障率 50%) (標稱)	壽命 (故障率 5%) (標稱)	操作位置
928094705125	MASTERColour CDM-T Elite 150W/930 G12 1CT/12	10000 h	11000 h	12000 h	9000 h	P10
928185205129	MASTERColour CDM-T Elite 35W/930 G12 1CT/12	14000 h	16000 h	20000 h	12000 h	UNIVERSAL
928193605129	MASTERColour CDM-T Elite 35W/942 G12 1CT	10000 h	12000 h	15000 h	9000 h	UNIVERSAL
928185305129	MASTERColour CDM-T Elite 70W/930 G12 1CT/12	14000 h	16000 h	20000 h	12000 h	UNIVERSAL
928193705129	MASTERColour CDM-T Elite 70W/942 G12 1CT	10000 h	12000 h	15000 h	9000 h	UNIVERSAL
928191705131	MASTERColour CDM-T Elite 50W/930 G12 1CT/12	14000 h	16000 h	20000 h	12000 h	UNIVERSAL

燈具設計要求

Order Code	Full Product Name	燈泡溫度 (最大)	Order Code	Full Product Name	燈泡溫度 (最大)
928094705125	MASTERColour CDM-T Elite 150W/930 G12 1CT/12	650 °C	928185305129	MASTERColour CDM-T Elite 70W/930 G12 1CT/12	500 °C
928185205129	MASTERColour CDM-T Elite 35W/930 G12 1CT/12	500 °C	928193705129	MASTERColour CDM-T Elite 70W/942 G12 1CT	500 °C
928193605129	MASTERColour CDM-T Elite 35W/942 G12 1CT	500 °C	928191705131	MASTERColour CDM-T Elite 50W/930 G12 1CT/12	500 °C

照明科技 (1/2)

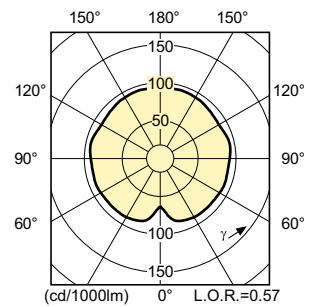
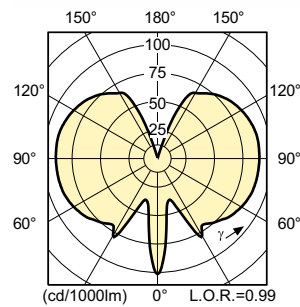
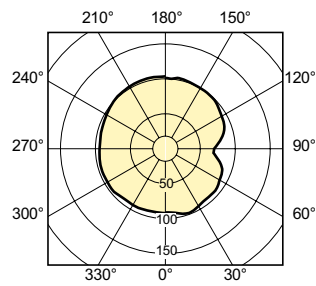
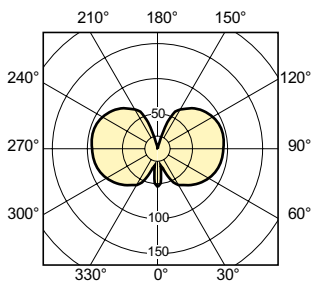
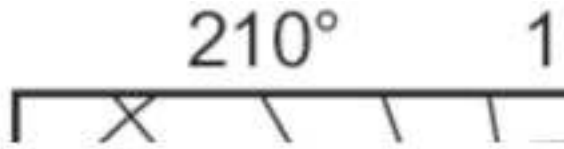
Order Code	Full Product Name	色度坐標 X (標稱)	色度坐標 Y (Nom)	色碼	色彩名稱	相關色溫 (標稱)	顯色指數 (最小)	顯色指數 (Nom)
928094705125	MASTERColour CDM-T Elite 150W/930 G12 1CT/12	0.434	0.398	930	暖白色 (WW)	3000 K	89	92
928185205129	MASTERColour CDM-T Elite 35W/930 G12 1CT/12	0.435	0.395	930	暖白色 (WW)	3000 K	87	90
928193605129	MASTERColour CDM-T Elite 35W/942 G12 1CT	0.366	0.364	942	冷白色 (CW)	4200 K	87	90
928185305129	MASTERColour CDM-T Elite 70W/930 G12 1CT/12	0.435	0.396	930	暖白色 (WW)	3000 K	87	90
928193705129	MASTERColour CDM-T Elite 70W/942 G12 1CT	0.362	0.363	942	冷白色 (CW)	4200 K	87	90
928191705131	MASTERColour CDM-T Elite 50W/930 G12 1CT/12	0.434	0.398	930	暖白色 (WW)	3000 K	87	90

照明科技 (2/2)

MASTERColour CDM-T Elite 陶瓷複金屬燈

Order Code	Full Product Name	流明維持率 1000 h (標稱)	流明維持率 10000 h (標稱)	流明維持率 12000 h (標稱)	流明維持率 2000 h (標稱)	流明維持率 4000 h (標稱)	流明維持率 5000 h (標稱)	光效 (額定) (Nom)	光通量 (標稱)	光通量 (額定) (標稱)
928094705125	MASTERColour CDM-T Elite 150W/930 G12 1CT/12	95 %	75 %	73 %	91 %	86 %	84 %	98 lm/W	14600 lm	14600 lm
928185205129	MASTERColour CDM-T Elite 35W/930 G12 1CT/12	95 %	83 %	80 %	93 %	90 %	88 %	98 lm/W	-	4050 lm
928193605129	MASTERColour CDM-T Elite 35W/942 G12 1CT	89 %	73 %	71 %	84 %	80 %	79 %	98 lm/W	-	3850 lm
928185305129	MASTERColour CDM-T Elite 70W/930 G12 1CT/12	97 %	83 %	82 %	95 %	90 %	88 %	103 lm/W	-	7800 lm
928193705129	MASTERColour CDM-T Elite 70W/942 G12 1CT	91 %	80 %	79 %	88 %	85 %	84 %	100 lm/W	-	7500 lm
928191705131	MASTERColour CDM-T Elite 50W/930 G12 1CT/12	97 %	83 %	82 %	95 %	90 %	88 %	108 lm/W	5450 lm	5450 lm

MASTERColour CDM-T Elite 陶瓷複金屬燈



MASTERColour CDM-T Elite 陶瓷複金屬燈

