



Smart Halogen Downlight QBS020

QBS044 1xMAX50W/12V-GU5.3 WH

1 pc - GU5.3 - WH

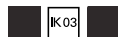
Shop owners opening a new outlet or refurbishing their current installation and contractors looking for attractive propositions for their customers (small/non-chain retailers) now have the ideal solution for impactful, yet affordable accent lighting. Our Smart Halogen Downlight offers customers a choice of different shapes to suit different functions, and the professional finish lends the luminaire an air of contemporary sophistication. Thanks to its robust housing, the Smart Halogen Downlight is a long-lasting solution. Quality clips ensure ease of installation.

产品数据

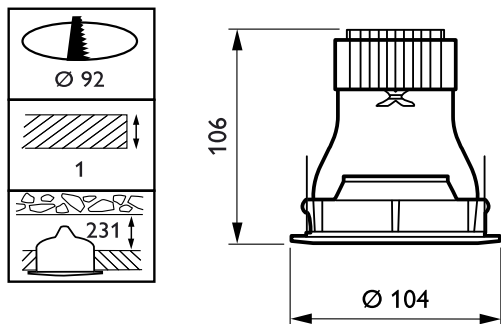
| 基本資訊 | | 尺寸 (高 x 寬 x 深) | |
|----------|----------------|--|------------------------------|
| 光源數 | 1 [1 pc] | 225 x 225 x 37 mm (8.9 x 8.9 x 1.5 in) | |
| 接口 | GU5.3 [GU5.3] | 應用 | |
| 燈具光束擴展 | 108° | 防水防塵規範代碼 | IP20 [IP20] |
| 保護等級 IEC | CLIII (II) | 機械衝擊保護碼 | IK03 [IK03] |
| 運作和電氣 | | 適用條件 | |
| 輸入電壓 | 12 V | 環境溫度範圍 | -10 to +35 °C |
| 輸入頻率 | 50 至 60 Hz | 產品參數 | |
| 機械和殼體 | | 完整產品碼 | 910403630287 |
| 總長度 | 37 mm | 訂購產品名稱 | QBS044 1xMAX50W/12V-GU5.3 WH |
| 總寬度 | 225 mm | EAN/UPC - 產品 | 6923828687786 |
| 總高度 | 225 mm | 訂購代碼 | 910403630287 |
| 色彩 | WH | 分子 - 各件數量 | 1 |

Smart Halogen Downlight QBS020

| | |
|--------------|--------------|
| 分子 - 每一外盒內件數 | 30 |
| 材質編號(12NC) | 910403630287 |
| 淨重 (件) | 0.235 kg |



二维绘图



QBS040 Smart halogen downlight

