



MASTER LEDspot LV AR111

MAS LED SpotLV 20-100W 930 AR111 12D

Delivering a warm, halogen-like accent beam, MASTER LEDspot LV AR111 is an ideal retrofit solution for spot and general lighting applications in the hospitality and retail industry. It is particularly suitable for general lighting where the light is on all the time, such as creative accent lighting applications in shops, restaurants, hotels, and especially for galleries, exhibitions and museums. The robustly designed MASTER LEDspot LV AR111 offers various beam angles for a clearly defined beam spread. There is no UV or IR in the beam, making it suitable for illuminating heat-sensitive objects (food, organic materials, paintings, etc.). The patented intelligent driver enables broad compatibility with existing electromagnetic and electronic halogen transformers. MASTER LEDspot LV AR111 delivers huge energy savings and minimizes maintenance cost without any reduction in brightness.

产品数据

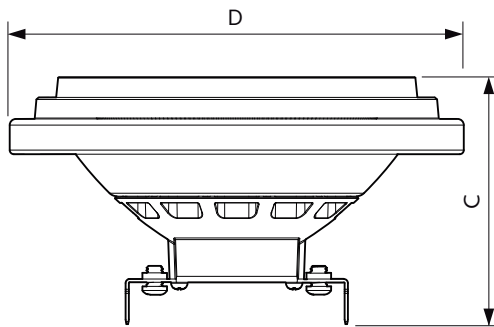
基本資訊		運作和電氣	
接口	G53 [G53]	光效 (額定) (標稱)	62.00 lm/W
符合歐盟 RoHS 標準	是	色彩一致性	<4
標稱使用時間 (標稱)	25000 h	演色性指數 (標稱)	91
開關週期	50000X	標稱使用時間結束時的燈具流明維護係數 (標稱)	70 %
技術類型	20-100W	輸入頻率	- Hz
照明科技		Power (Rated) (Nom)	20 W
色碼	930 [CCT of 3000K]	燈具電流 (標稱)	2400 mA
Beam Angle (Nom)	12 °	相等瓦數	100 W
光通量 (標稱)	1250 lm	起始時間 (標稱)	0.5 s
光強 (標稱)	8000 cd	至 60% 亮度的暖機時間 (標稱)	0.5 s
色彩名稱	白色 (WH)	功率因數 (標稱)	0.7
相關色溫 (標稱)	3000 K		

MASTER LEDspot LV AR111

電壓 (標稱)	ac electronic 12 V
溫度	
T 盒上限 (標稱)	80 °C
控制調光	
可調光	是
機械和殼體	
燈泡形狀	AR111
應用	
適合重點照明	Yes

能源消耗 kWh/1000 h	22 kWh
產品參數	
完整產品碼	871869969067000
訂購產品名稱	MAS LED SpotLV 20-100W 930 AR111 12D
EAN/UPC - 產品	8718699690670
訂購代碼	929002239608
分子 - 各件數量	1
分子 - 每一外盒內件數	6
材質編號(12NC)	929002239608
淨重 (件)	0.160 kg

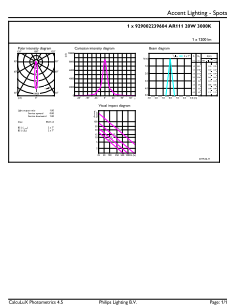
二维绘图



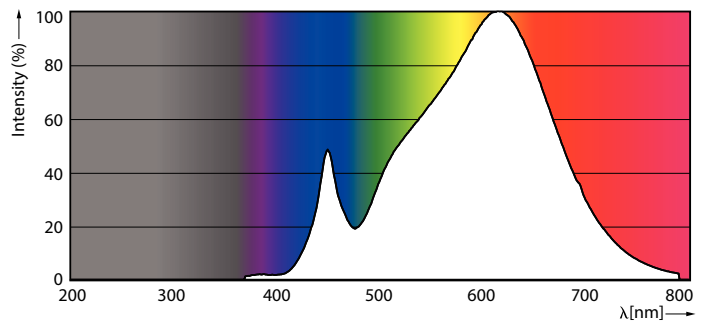
AR111 12V 20-100W 1100lm 15D 3000K G53 D

Product	D	C
MAS LED SpotLV 20-100W 930 AR111 12D	111 mm	62 mm

光度数据



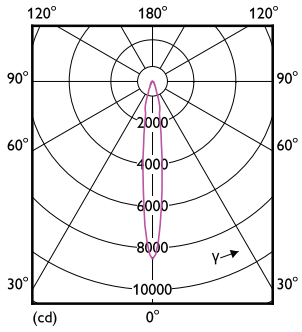
LEDspots 20W AR111 G53 930 15D



LEDspots 20W AR111 G53 930 15D

MASTER LEDspot LV AR111

光度数据

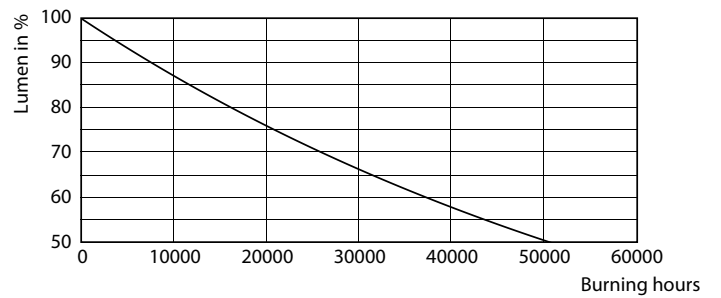


LEDspots 20W AR111 G53 930 15D

壽命



LEDspots LED 25K



LEDspots LMP 25K

