



# MASTER LEDspot LV AR111

## MAS LEDspotLV D 11-50W 927 AR111 24D

Delivering a warm, halogen-like accent beam, MASTER LEDspot LV AR111 is an ideal retrofit solution for spot and general lighting applications in the hospitality and retail industry. It is particularly suitable for general lighting where the light is on all the time, such as creative accent lighting applications in shops, restaurants, hotels, and especially for galleries, exhibitions and museums. The robustly designed MASTER LEDspot LV AR111 offers various beam angles for a clearly defined beam spread. There is no UV or IR in the beam, making it suitable for illuminating heat-sensitive objects (food, organic materials, paintings, etc.). The patented intelligent driver enables broad compatibility with existing electromagnetic and electronic halogen transformers. MASTER LEDspot LV AR111 delivers huge energy savings and minimizes maintenance cost without any reduction in brightness.

### 产品数据

| 基本資訊             |            |
|------------------|------------|
| 接口               | G53 [ G53] |
| 符合歐盟 RoHS 標準     | 是          |
| 標稱使用時間 (標稱)      | 40000 h    |
| 開關週期             | 50000X     |
| 技術類型             | 11-50W     |
| 照明科技             |            |
| 色碼               | 927        |
| Beam Angle (Nom) | 24 °       |
| 光通量 (標稱)         | 620 lm     |
| 光強 (標稱)          | 2900 cd    |
| 色彩名稱             | 暖白色 (WW)   |
| 相關色溫 (標稱)        | 2700 K     |

| 光效 (額定) (標稱)            | 56.36 lm/W         |
|-------------------------|--------------------|
| 色彩一致性                   | <6                 |
| 演色性指數 (標稱)              | 90                 |
| 標稱使用時間結束時的燈具流明維護係數 (標稱) | 70 %               |
| 90° 錐體內的光通量 (額定)        | 560 lm             |
| 運作和電氣                   |                    |
| 輸入頻率                    | - Hz               |
| Power (Rated) (Nom)     | 11 W               |
| 燈具電流 (標稱)               | 1300 mA            |
| 相等瓦數                    | 50 W               |
| 起始時間 (標稱)               | 0.5 s              |
| 至 60% 亮度的暖機時間 (標稱)      | instant full light |
| 功率因數 (標稱)               | 0.7                |

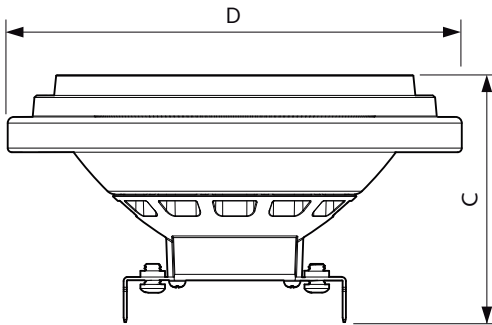
# MASTER LEDspot LV AR111

|                 |        |
|-----------------|--------|
| 電壓 (標稱)         | 12 V   |
| <b>溫度</b>       |        |
| T 盒上限 (標稱)      | 70 °C  |
| <b>控制調光</b>     |        |
| 可調光             | 是      |
| <b>應用</b>       |        |
| 能源效益標籤 (EEL)    | A      |
| 適合重點照明          | Yes    |
| 能源消耗 kWh/1000 h | 13 kWh |

## 產品參數

|              |                                      |
|--------------|--------------------------------------|
| 完整產品碼        | 871869651508200                      |
| 訂購產品名稱       | MAS LEDspotLV D 11-50W 927 AR111 24D |
| EAN/UPC - 產品 | 8718696515082                        |
| 訂購代碼         | 929001169808                         |
| 分子 - 各件數量    | 1                                    |
| 分子 - 每一外盒內件數 | 6                                    |
| 材質編號(12NC)   | 929001169808                         |
| 淨重 (件)       | 0.360 kg                             |

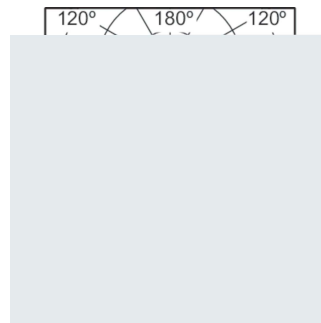
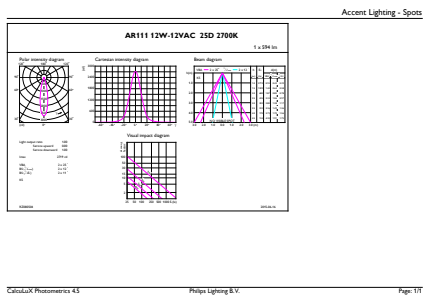
## 二维绘图



LED D 11-50W 927 AR111 24D

| Product                              | D      | C     |
|--------------------------------------|--------|-------|
| MAS LEDspotLV D 11-50W 927 AR111 24D | 111 mm | 62 mm |

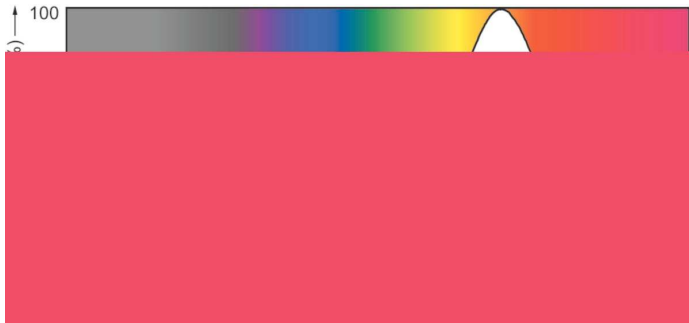
## 光度数据



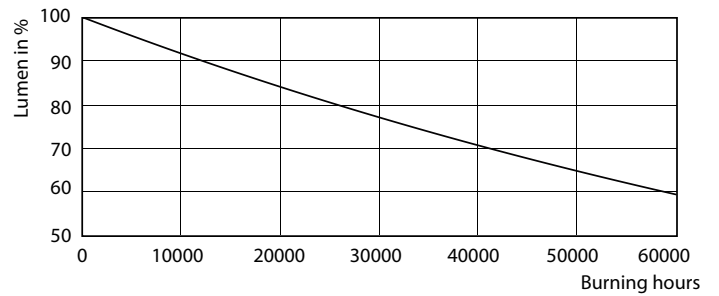
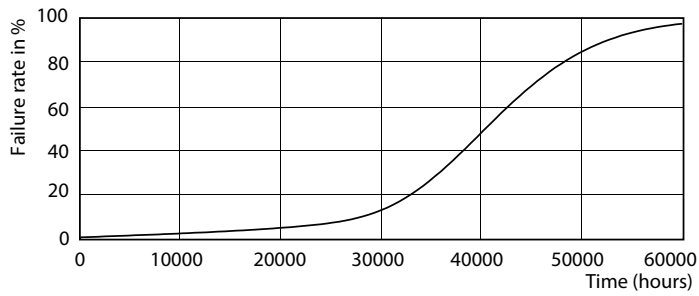
MASTER LEDspot LV AR111 50W G53 927 24D

# MASTER LEDspot LV AR111

## 光度数据



## 壽命



MASTER LEDspotLV AR111 75W G53 940 40D

MASTER LEDspotLV AR111 75W G53 940 40D

